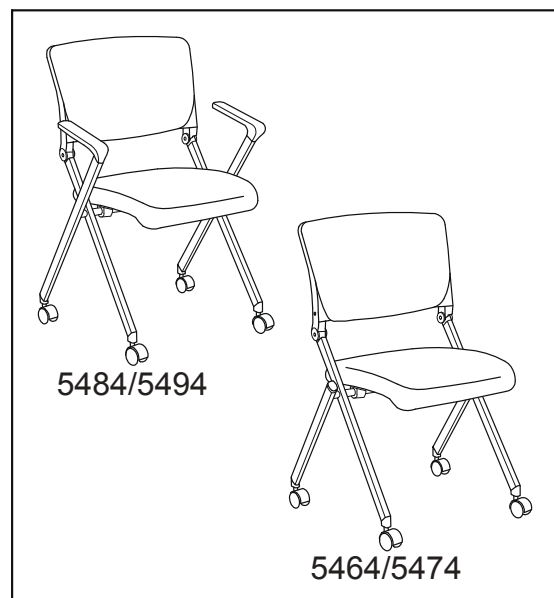
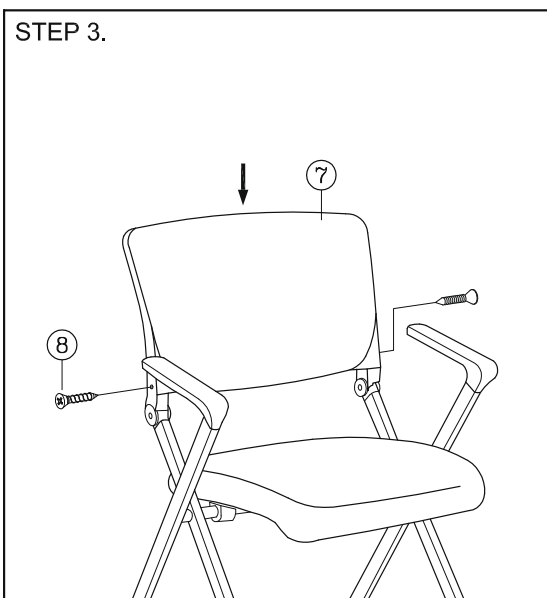
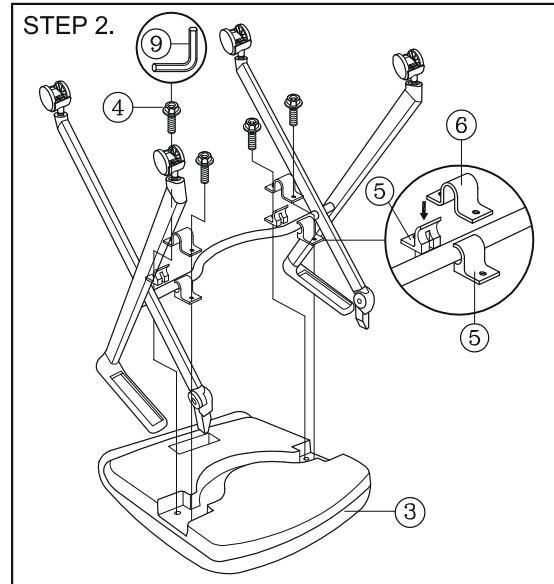
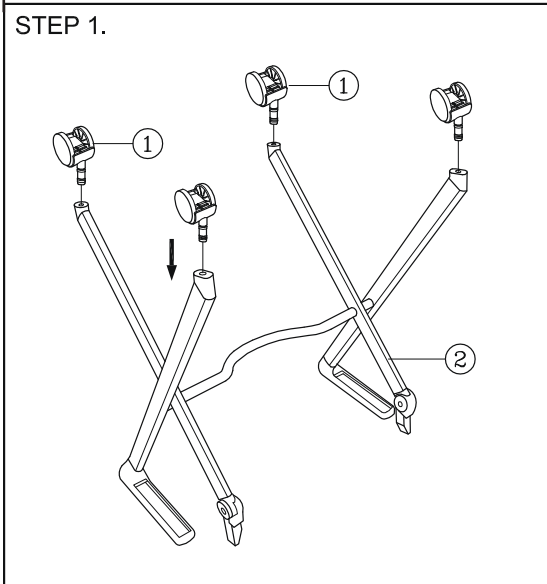


Before assembly, please remove all parts from the carton, verifying that you have the correct quantities, and read all the instructions.

**IN THE CARTON:**

KEY QTY	DESCRIPTION	KEY QTY	DESCRIPTION	KEY QTY	DESCRIPTION
1	4 Regular Caster	4	4 Holder Screw (longer)	7	1 Backrest
2	1 Base	5	4 Plastic Holder	8	2 Backrest Screw
3	1 Seat Cushion	6	2 Steel Holder	9	1 M5 Size Allen Wrench

**INSTRUCTIONS:**



**⚠ ATTENTION ⚠**

This chair is only meant to seat one person at a time. Do not use chair as a step stool/ladder. Ensure all bolts and screws are tightened before sitting on stool, check bolts and screws every 6 months. If any parts are missing, broken, damaged or worn, stop use of product until repairs have been made using factory authorized parts. Failure to follow these warnings may result in injury.