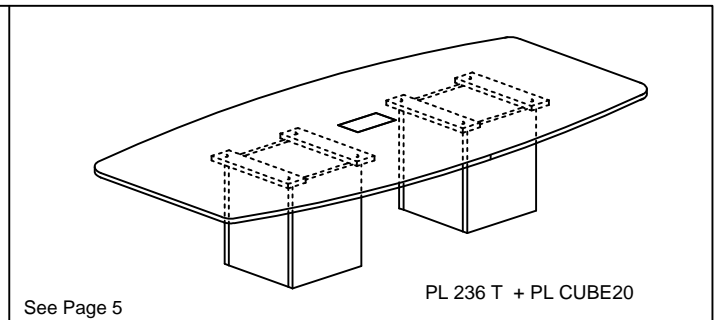
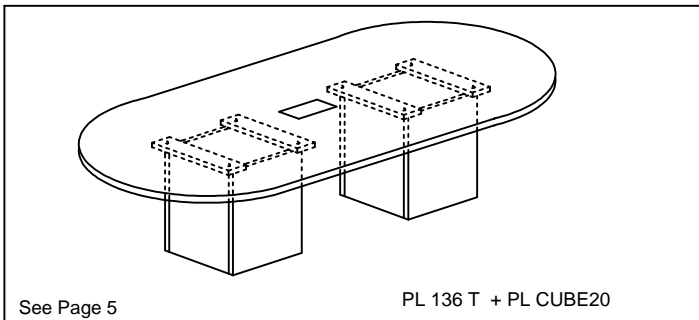
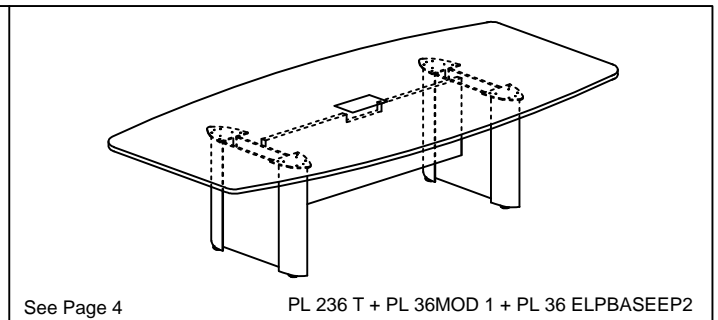
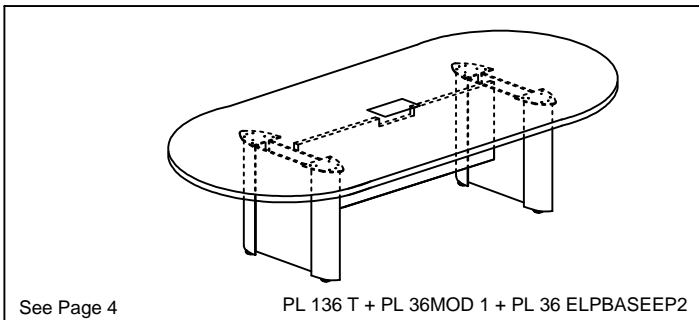
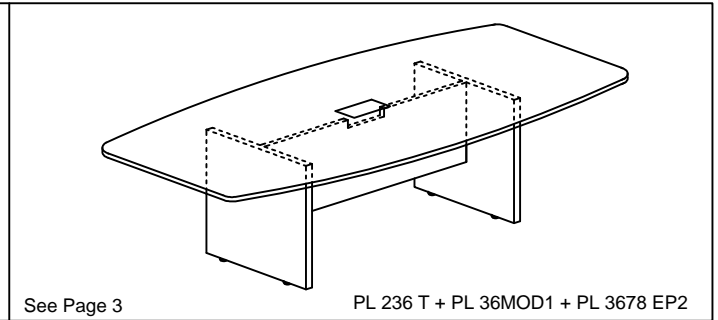
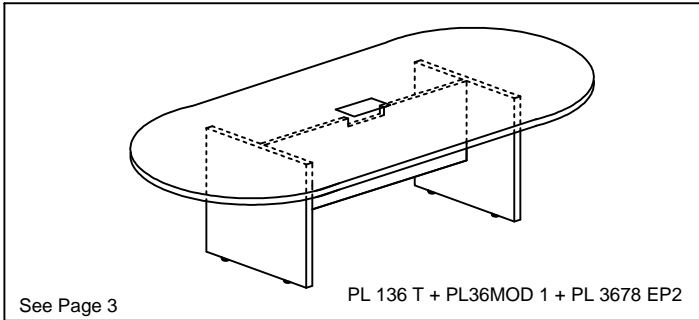
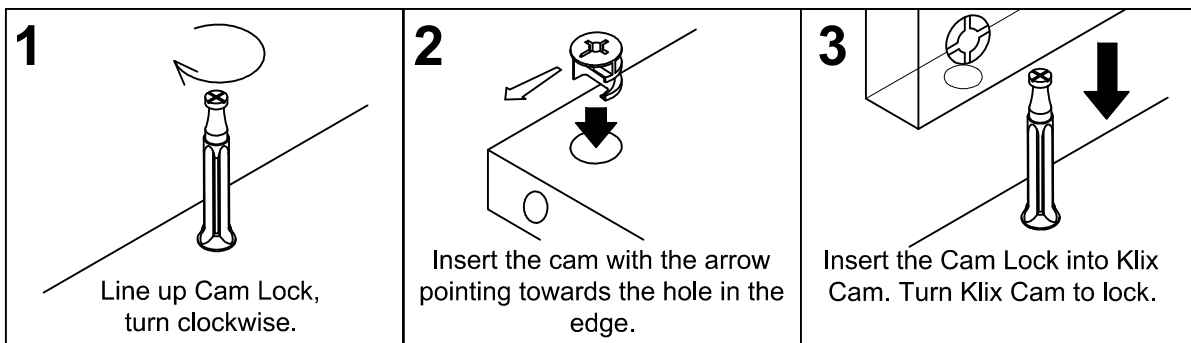


RACE TRACK/BOAT SHAPE CONFERENCE TABLE

Thank you for purchasing the Performance Race Track / Boat Shape Conference Table.
Please follow these instructions for easy assembly.



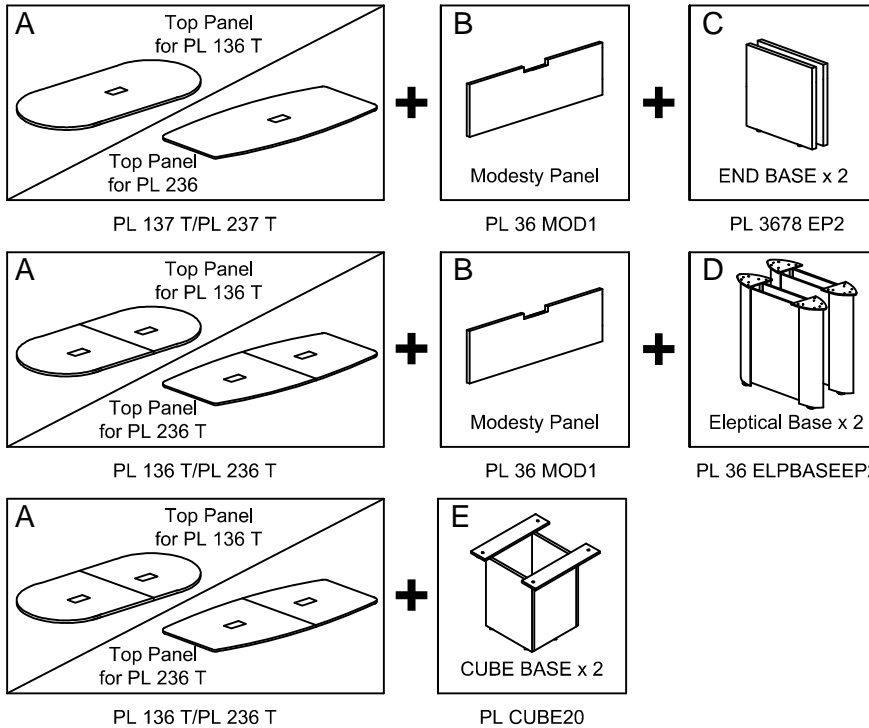
KLIX CAM INSTRUCTIONS





IMPORTANT NOTE :

- Place all wooden parts on a clean and smooth surface such as a rug or carpet to avoid the parts from being scratched.
- Check to be sure that you have all parts and hardware.
- Remove all wrapping materials, including staples & packing straps before you start to assemble.
- Do not tighten all screws/bolts until all completely assembled.
- Keep all hardware parts out of reach of children.









RACE TRACK/BOAT SHAPE CONFERENCE TABLE









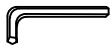

HARDWARE PACK PL 136 T/PL 236 T

A1  6 Hole L-Bracket 4 Pcs	A2  Screw #6 x 5/8" 24 Pcs
---	--







HARDWARE PACK PL 3678 EP2

C1  Cam Lock 10 Pcs	C2  Klix Cam 10 Pcs	C3  Housing Cap (Long) 6 Pcs	C4  Housing Cap (Short) 4 Pcs	C5  Adjustable Glide 4 Pcs	C6  6 Hole L-Bracket 4 Pcs	C7  Screw #6 x 5/8" 24 Pcs	C8  M4 x 65 Allen-Key 1 Pc
--	--	---	--	---	--	--	---

HARDWARE PACK PL 36 ELPBASEEP2

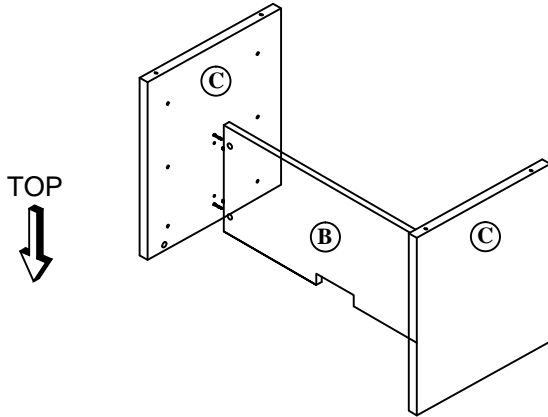
D1  Cam Lock 6 Pcs	D2  Klix Cam 6 Pcs	D3  Housing Cap (Long) 6 Pcs	D4  Adjustable Glide 4 Pcs	D5  6 Hole L-Bracket 4 Pcs	D6  Screw #6 x 5/8" 24 Pcs	D7  M4 x 65 Allen-Key 1 Pc	D8  CSK Screw M3.5 x 20MM 16 Pcs
---	---	---	---	---	---	---	--

HARDWARE PACK PL CUBE20

E1  Cam Lock 16 Pcs	E2  Klix Cam 16 Pcs	E3  Housing Cap (Long) 16 Pcs	E4  JCBC Screw M6 x 40mm = 4pcs Washer = 4pcs	E5  Adjustable Glide 6 Pcs	E6  M4 x 65 Allen-Key 1 Pc
--	--	--	---	---	--

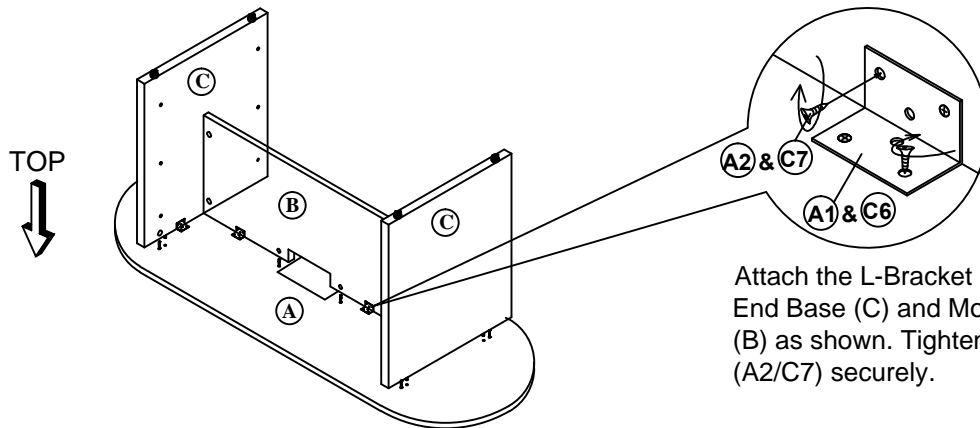
RACE TRACK/BOAT SHAPE CONFERENCE TABLE

1



Attach the two End Base (C) to Modesty Panel (B) by using Cam Lock (C1) and Klix Cam (C2).

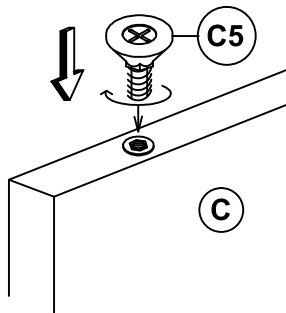
2



Attach the L-Bracket (A1/C6) to End Base (C) and Modesty Panel (B) as shown. Tighten Screws (A2/C7) securely.

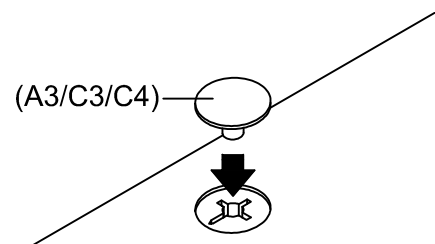
Attach the body to Top Panel (A) by using Cam Lock (C1) and Klix Cam (C2).

3



Screw Adjustable Glide (C5) into bottom of End Base (C).

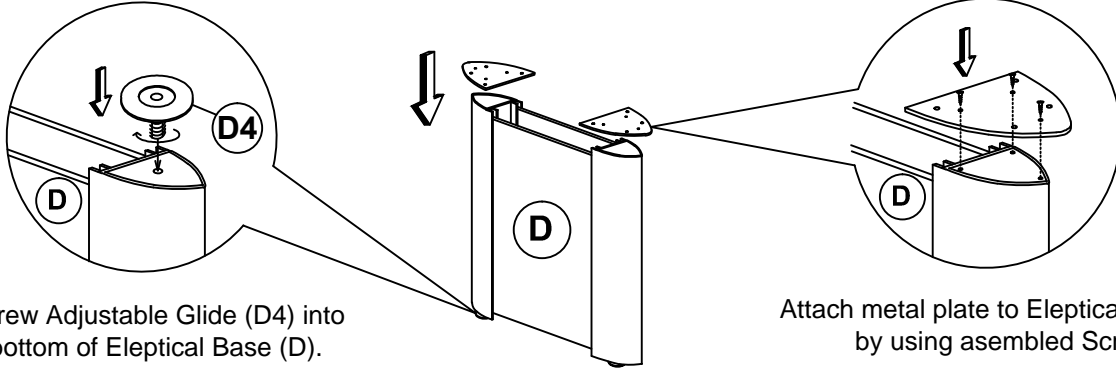
4



Attach Housing Cap (A3/C3/C4) to all Klix Cam (A2/C2) by pushing neck through center of cam.

RACE TRACK/BOAT SHAPE CONFERENCE TABLE

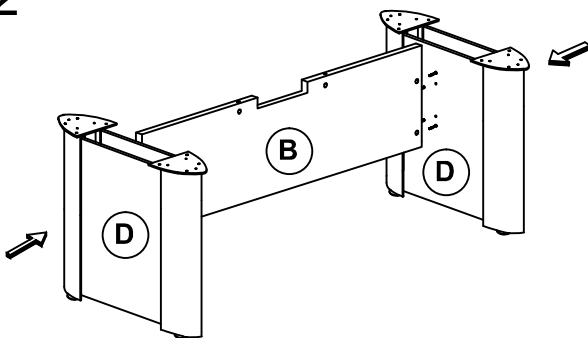
1



Screw Adjustable Glide (D4) into bottom of Eplectical Base (D).

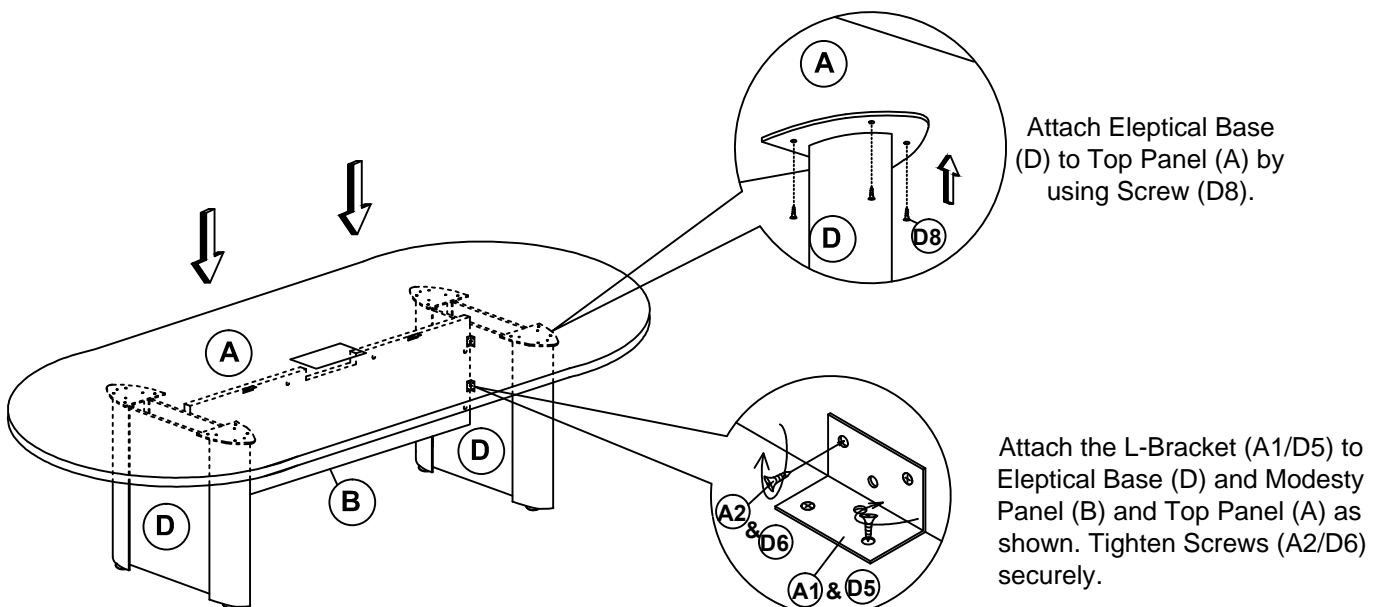
Attach metal plate to Eplectical Base (D) by using assembled Screw.

2



Attach 2 Pcs Eplectical Base (D) to Modesty Panel (B) by using Cam Lock (D1) and Klix Cam (D2).

3

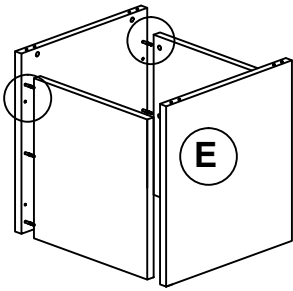


Attach Top Panel (A) to Modesty Panel (B) by using Cam Lock (D1) and Klix Cam (D2).

Attach Eplectical Base (D) to Top Panel (A) by using Screw (D8).

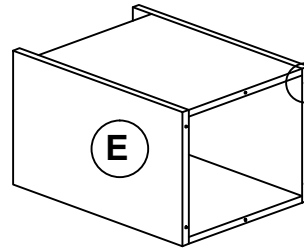
Attach the L-Bracket (A1/D5) to Eplectical Base (D) and Modesty Panel (B) and Top Panel (A) as shown. Tighten Screws (A2/D6) securely.

1



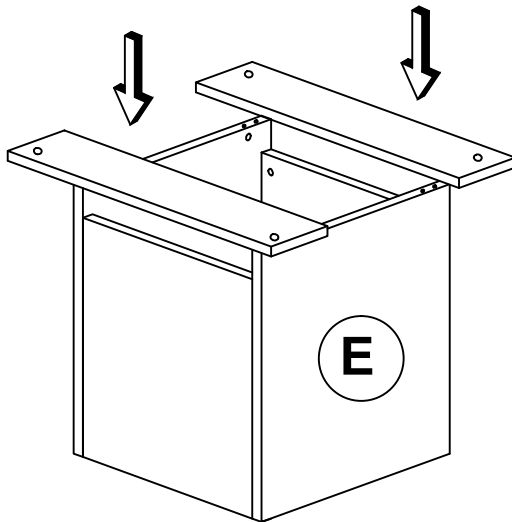
Attach Cube Base (E) by using Cam Lock (E1) and Klix Cam (E2).

2



Screw Adjustable Glide (E5) into bottom of End Base (E).

3



Attach Cube Base Support (E) by using Cam Lock (E1) and Klix Cam (E2).

5

Attach Top Panel (A) to Cube Base (E) by using JCBC Screw (E4) and tighten with Allen Key (E6).

