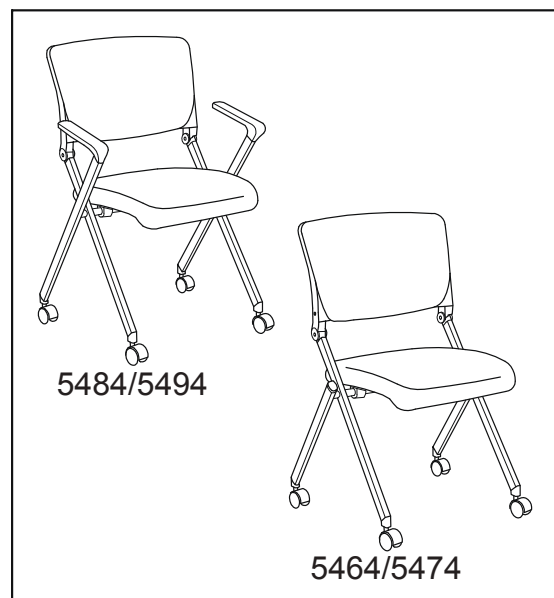
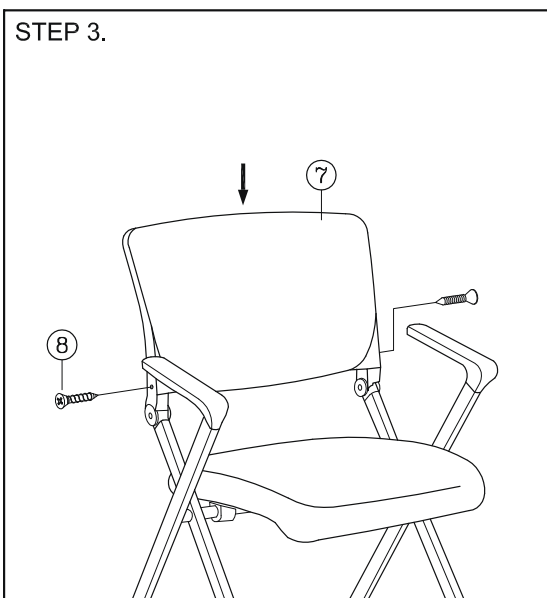
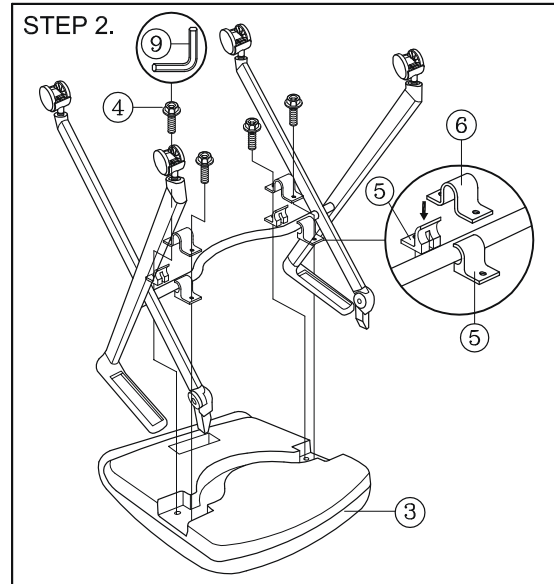
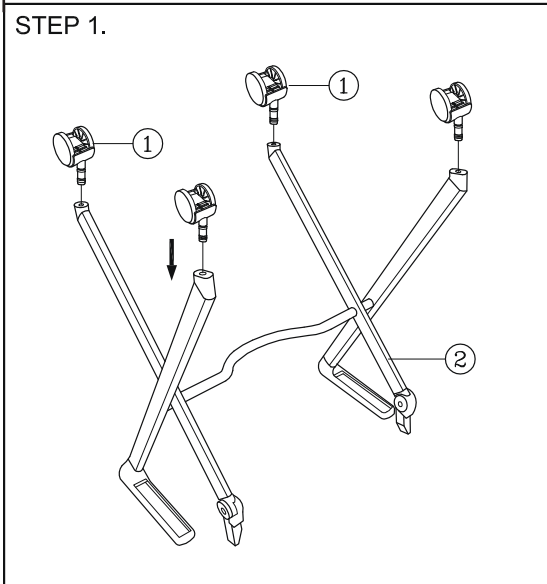


Before assembly, please remove all parts from the carton, verifying that you have the correct quantities, and read all the instructions.

IN THE CARTON:

KEY QTY DESCRIPTION	KEY QTY DESCRIPTION	KEY QTY DESCRIPTION
1 4 Regular Caster	4 4 Holder Screw (longer)	7 1 Backrest
2 1 Base	5 4 Plastic Holder	8 2 Backrest Screw
3 1 Seat Cushion	6 2 Steel Holder	9 1 M5 Size Allen Wrench

INSTRUCTIONS:



⚠ ATTENTION ⚠

This chair is only meant to seat one person at a time. Do not use chair as a step stool/ladder. Ensure all bolts and screws are tightened before sitting on stool, check bolts and screws every 6 months. If any parts are missing, broken, damaged or worn, stop use of product until repairs have been made using factory authorized parts. Failure to follow these warnings may result in injury.