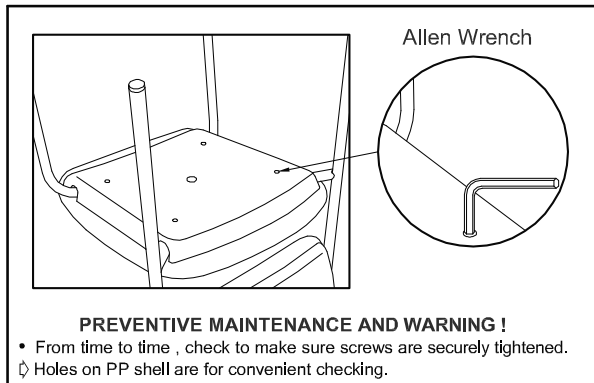
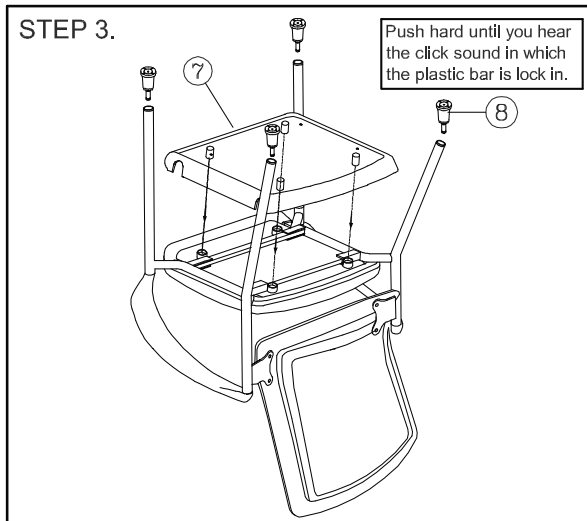
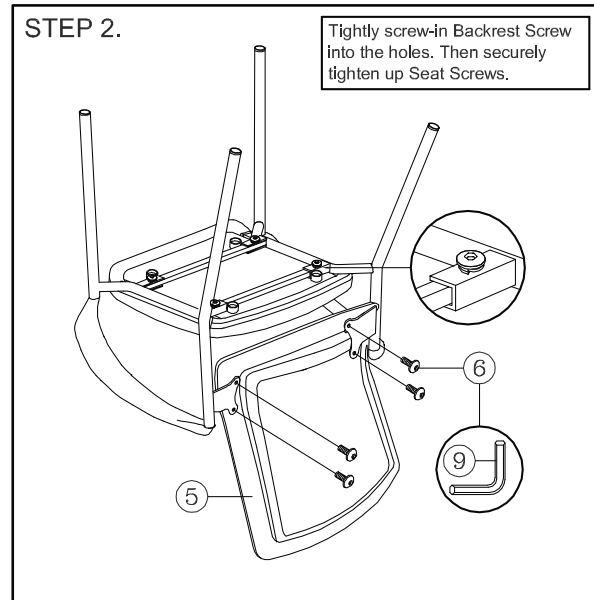
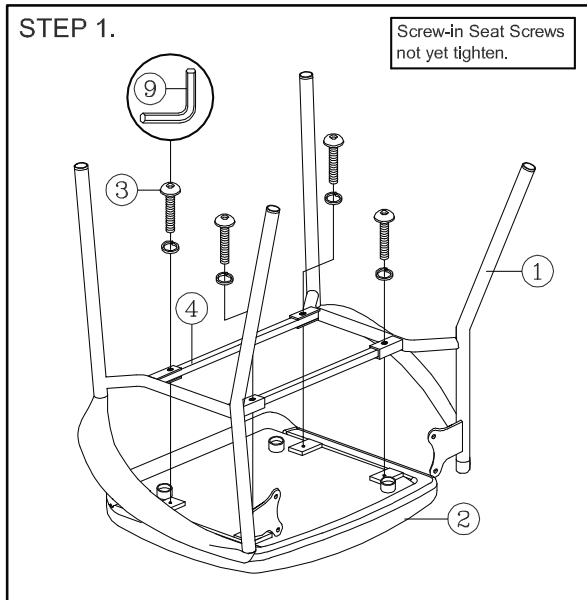


MODEL: 7944GNS

MESH BACK STACKING CHAIR (SEAT SOLD SEPARATELY)

PARTS LIST

KEY QTY DESCRIPTION	KEY QTY DESCRIPTION	KEY QTY DESCRIPTION
1 2 Sled Base	4 2 Steel Bar	8 4 Glider
2 1 Seat Cushion (Bracket Sold Separately)	5 1 Backrest	9 1 M5 Size Allen Wrench
3 4 Seat Screw (Longer) + Washer	6 4 Backrest Screw (Short)	
	7 1 Seat Plastic Cover	



PREVENTIVE MAINTENANCE AND WARNING!

- IF ANY PARTS ARE MISSING, BROKEN, DAMAGED OR WORN, STOP USE OF THE PRODUCT UNTIL REPAIRS ARE MADE USING FACTORY AUTHORIZED PARTS.
- DISPOSE OF PACKAGING PROPERLY.
- FAILURE TO FOLLOW THESE WARNINGS COULD RESULT IN SERIOUS INJURY.
- EVERY SIX MONTHS, PLEASE MAKE SURE ALL BOLTS, SCREWS AND KNOBS ARE FULLY TIGHTENED TO ENSURE STABILITY.

ATTENTION

1. THIS ASSEMBLY INSTRUCTION IS ONLY FOR ASSEMBLING THE CHAIR. THE CHAIR DRAWING MAY BE DIFFERENT FROM CHAIR APPEARANCE.
2. SOME SCREWS MAY PREASSEMBLED , ASSEMBLERS CAN IGNORE THE STEP.
3. REMOVE ALL ITEMS FROM THE CARTON. VERIFY ALL PIECES BEFORE ASSEMBLY.

