









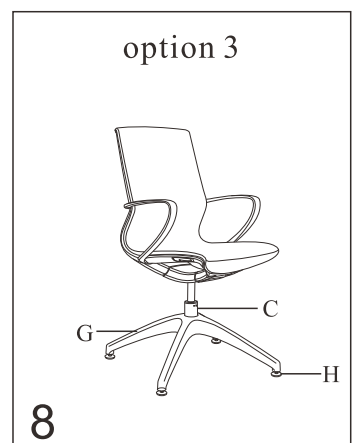
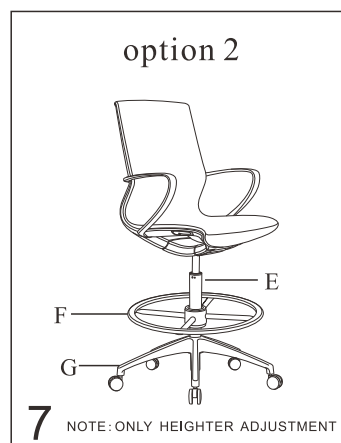
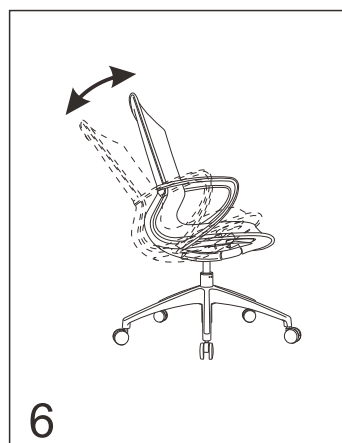
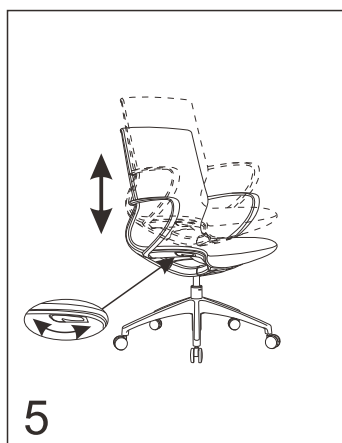
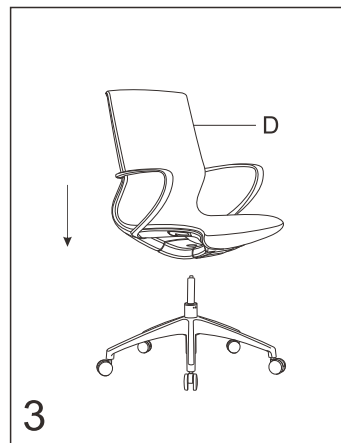
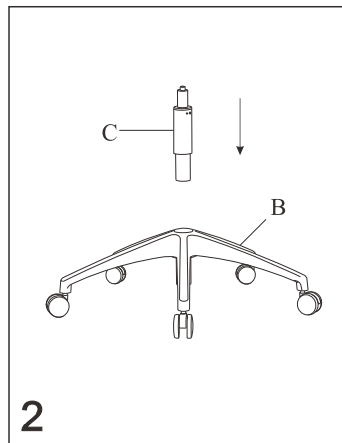
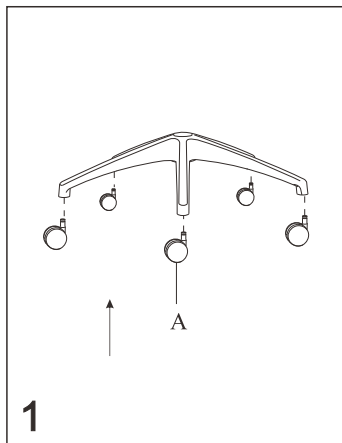
MODEL: 20621/20624/20625

ASSEMBLY INSTRUCTIONS

THANK YOU FOR PURCHASING THIS DESIGNER CHAIR FROM PERFORMANCE OFFICE FURNISHINGS.

BEFORE ASSEMBLY, PLEASE REMOVE ALL PARTS AND VERIFY THAT YOU HAVE THE CORRECT QUANTITIES LISTED BELOW.

option 1											
A		5	B		1	C		1	D		1
option 2					option 3						
E		1	F		1	G		1	H		4



PREVENTIVE MAINTENANCE AND WARNING

- USE THIS PRODUCT ONLY FOR SEATING ONE PERSON AT A TIME.
- DO NOT USE THIS CHAIR AS A STEP STOOL / LADDER.
- DO NOT USE THIS CHAIR UNLESS ALL BOLTS AND SCREWS ARE TIGHTENED. ALL BOLTS AND SCREWS SHOULD BE TIGHTENED AT LEAST EVERY 3 MONTHS.
- IF AN ANY PARTS ARE MISSING, BROKEN, DAMAGED OR WORN, STOP THE USE OF THIS PRODUCT UNTIL ALL REPAIRS ARE MADE USING FACTORY AUTHORIZED PARTS.
- FAILURE TO FOLLOW THESE WARNINGS CAN RESULT IN SERIOUS INJURY