



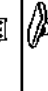




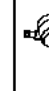
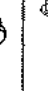





Assembly Instructions

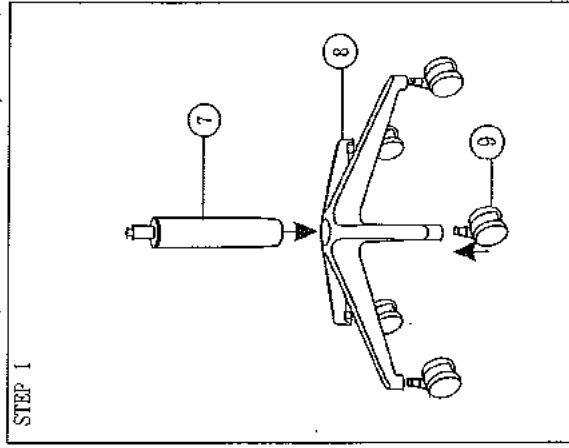
MODEL: 7307BLKM551BLKM551



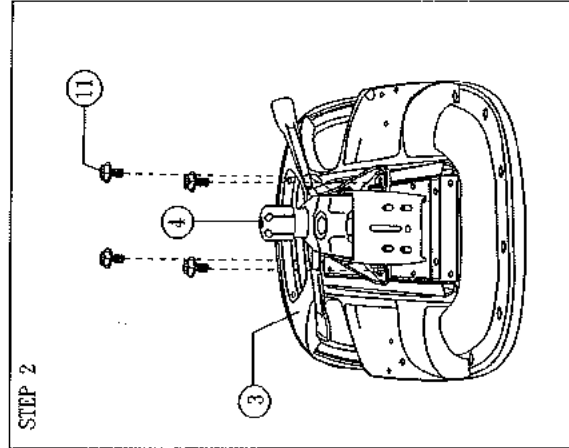
Before assembly, please remove all parts from the carton, verifying that you have the correct quantities, and read all the instructions.

PARTS LIST:		
KEY	QTY	DESCRIPTION
	1 PC	Back
	1 PC	Headrest
	1 PC	Seat
	1 PC	Mechanism
	1 PC	Armrest (R)
	1 PC	Armrest (L)
	1 PC	Gas lift
	1 PC	Base
	5 PCS	Castors
	6 PCS	Armrest screw 1/4" x 7/8" (blue color)
	4 PCS	Mechanism screw 1/4" x 3/8" (blue color)
	3 PCS	J Bar screw 5/16 x 3/4" (blue color)
	1 PC	Allen wrench 5mm
	2 PCS	Headrest screw 1/4" x 1" (blue color)

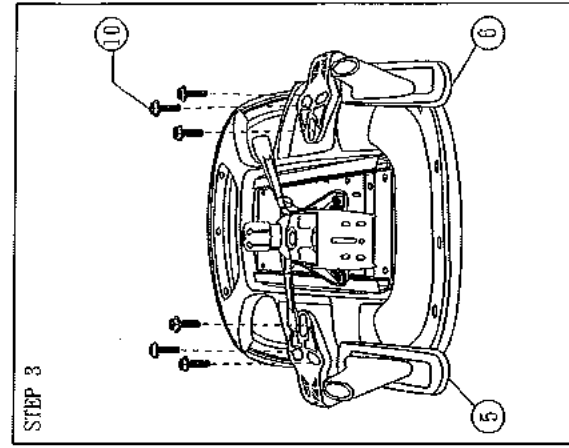
STEP 1



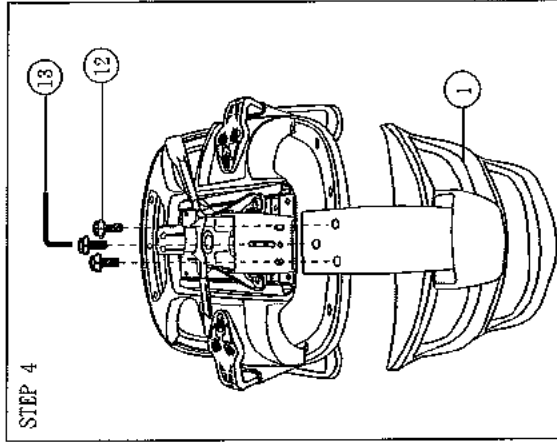
STEP 2



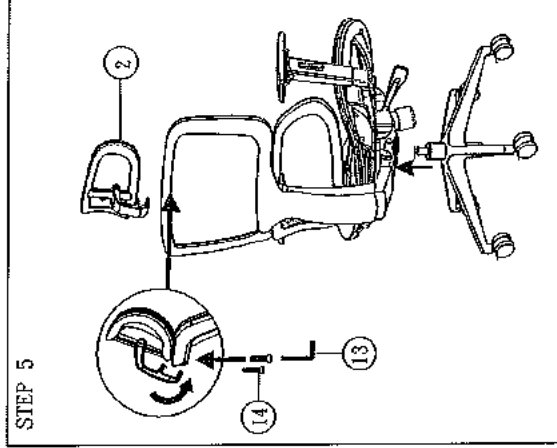
STEP 3



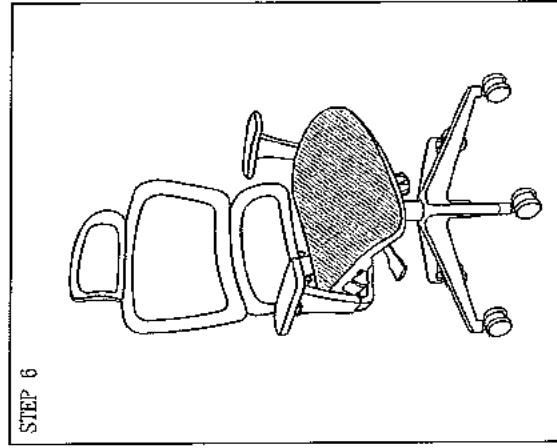
STEP 4



STEP 5



STEP 6



ATTENTION!

Ensure all bolts and screws are tightened, check bolts and screws every 6 months. If any parts are missing, broken, damaged or worn, stop use of product until repairs have been made using factory authorized parts. Failure to follow these warnings may result in injury.