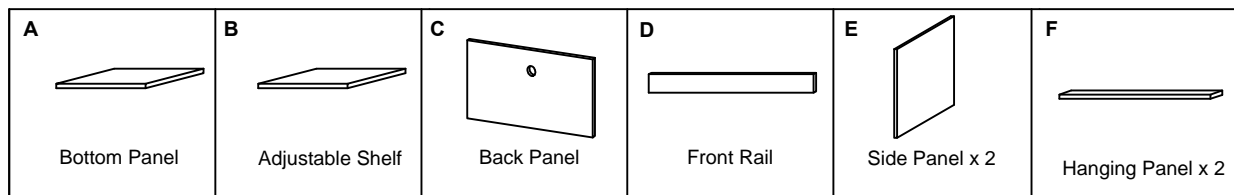
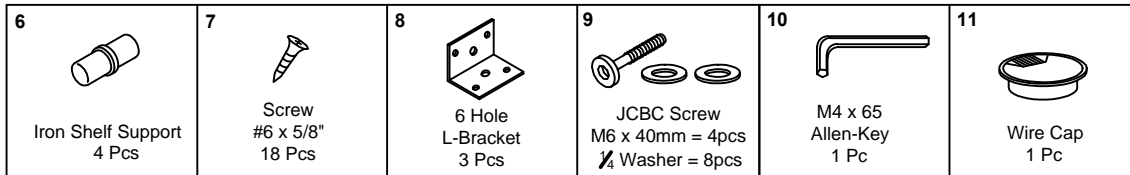
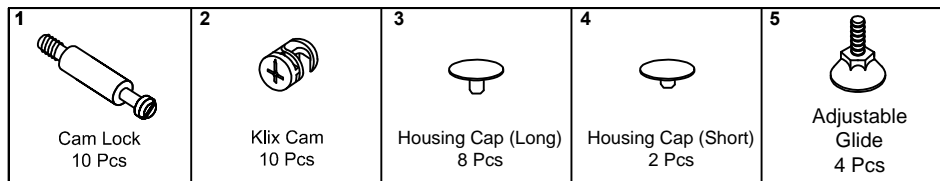
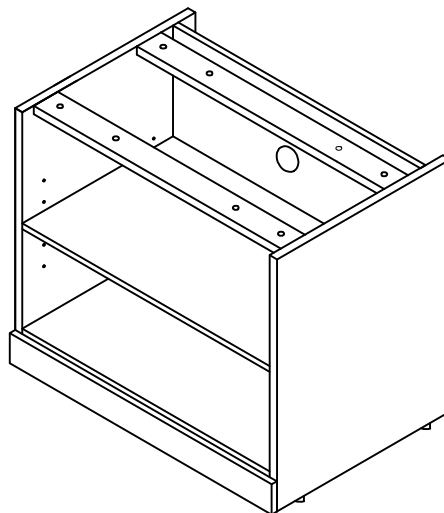
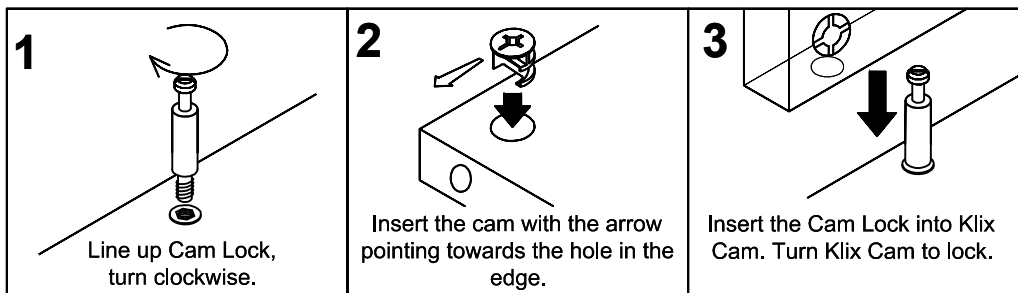


Thank you for purchasing the Performance OPEN SHELF CABINET.
Please follow these instructions for easy assembly.



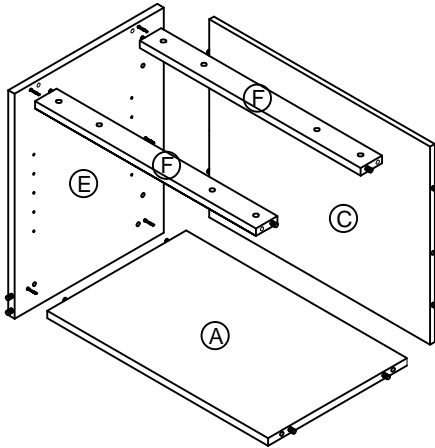
KLIX CAM INSTRUCTIONS



IMPORTANT !!

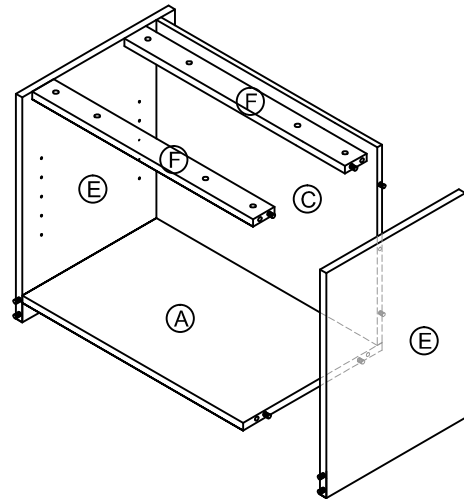
- Place all wooden parts on a clean and smooth surface such as a rug or carpet to avoid the parts from being scratched.
- Check that you have all parts and hardware.
- Remove all wrapping materials, including staples & packing straps before you start to assemble.
- Do not tighten any screws or bolts until the unit is completely assembled.
- Keep all hardware parts out of reach of children.

1



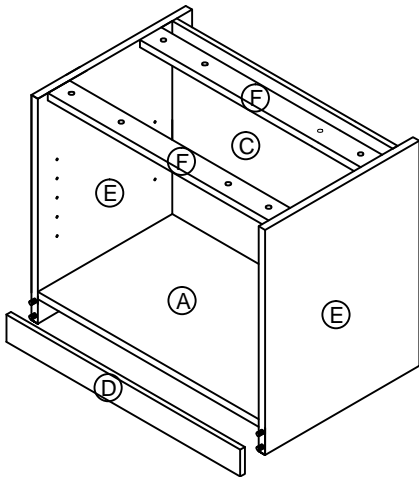
Attach the Bottom Panel (A) and Hanging Panel (F) and Back Panel (C) to Side Panel (E) by using Cam Lock (1) and Klix Cam (2).

2



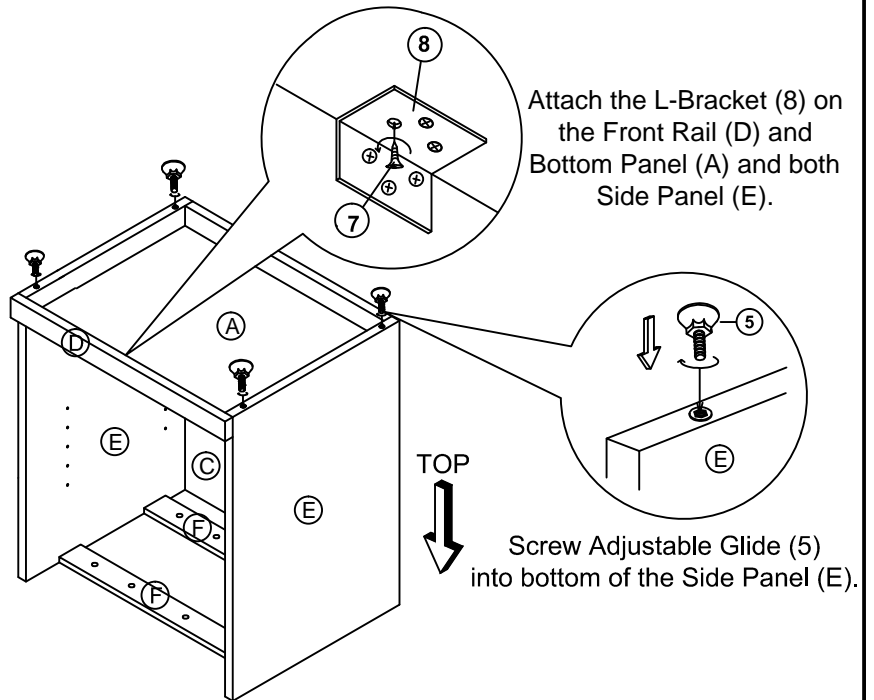
Attach the another Side Panel (E) to Hanging Panel (F) and Back Panel (C) and Bottom Panel (A) by using Cam Lock (1) and Klix Cam (2).

3



Attach the Front Rail (D) to Both Side Panel (E) by wood dowel.

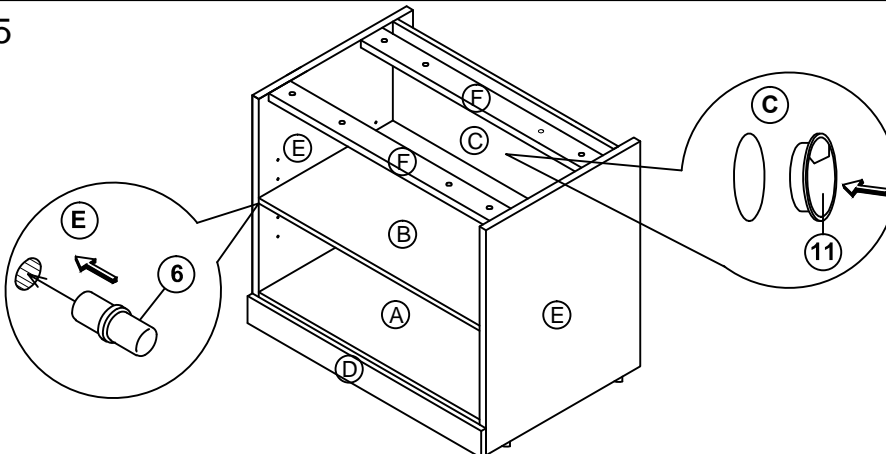
4



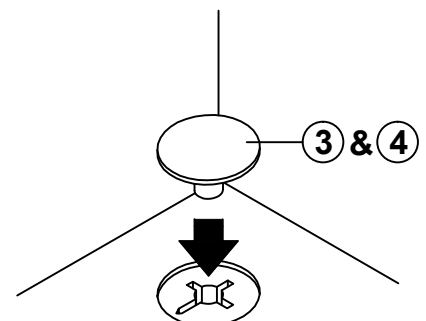
Attach the L-Bracket (8) on the Front Rail (D) and Bottom Panel (A) and both Side Panel (E).

Screw Adjustable Glide (5) into bottom of the Side Panel (E).

5



6



Attach Housing Cap (3/4) to all Klix Cams (2) by pushing neck through center of cam.