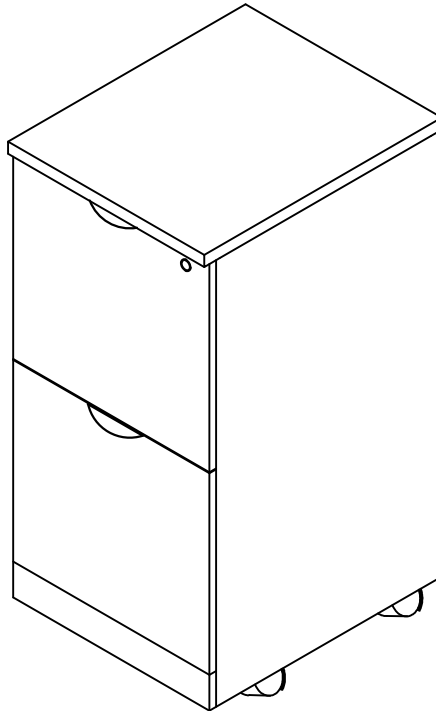
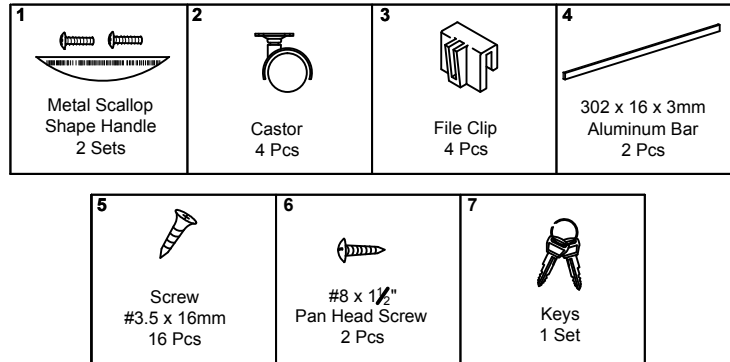


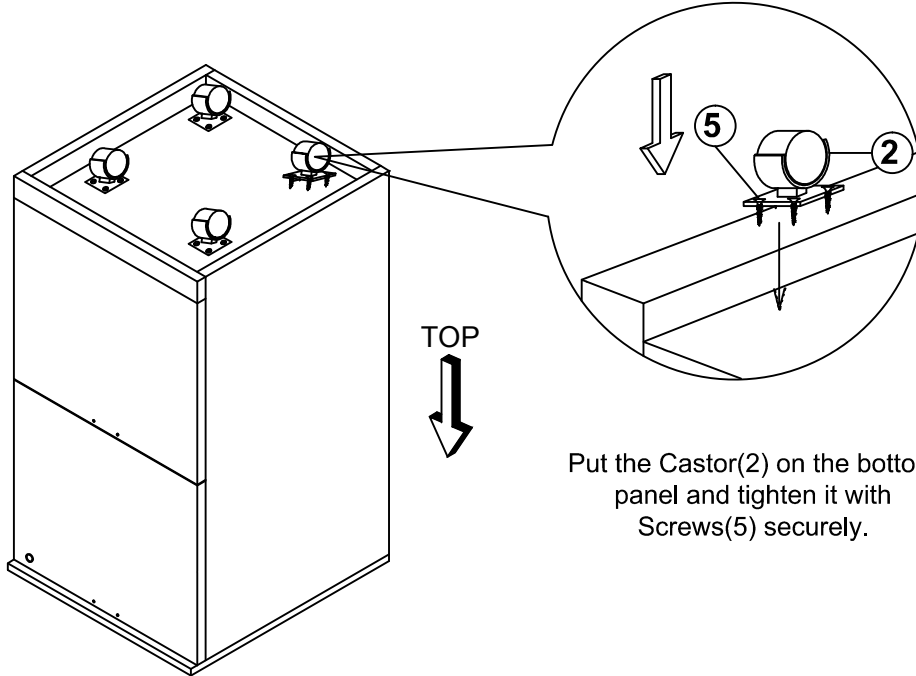
Thank you for purchasing the Performance Mobile Pedestal.
Please follow these instructions for easy assembly.



IMPORTANT !!

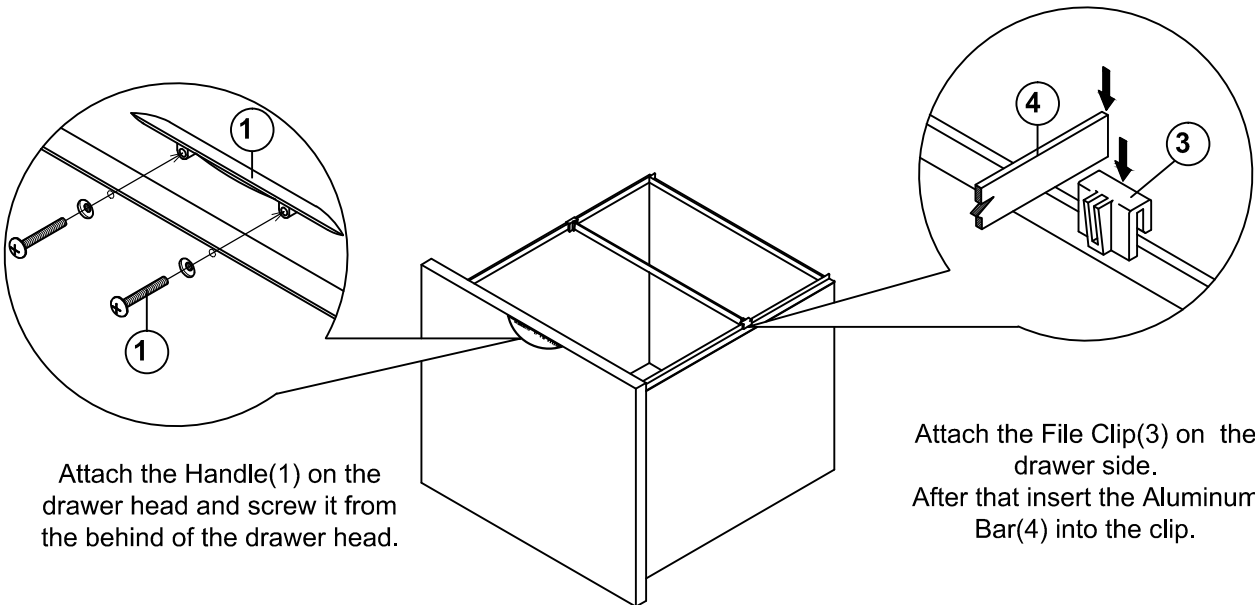
- Place all wooden parts on a clean and smooth surface such as a rug or carpet to avoid the parts from being scratched.
- Check that you have all parts and hardware.
- Remove all wrapping materials, including staples & packing straps before you start to assemble.
- Do not tighten any screws or bolts until the unit is completely assembled.
- Keep all hardware parts out of reach of children.

1



Put the Castor(2) on the bottom panel and tighten it with Screws(5) securely.

2



Attach the Handle(1) on the drawer head and screw it from the behind of the drawer head.

Attach the File Clip(3) on the drawer side.
After that insert the Aluminum Bar(4) into the clip.