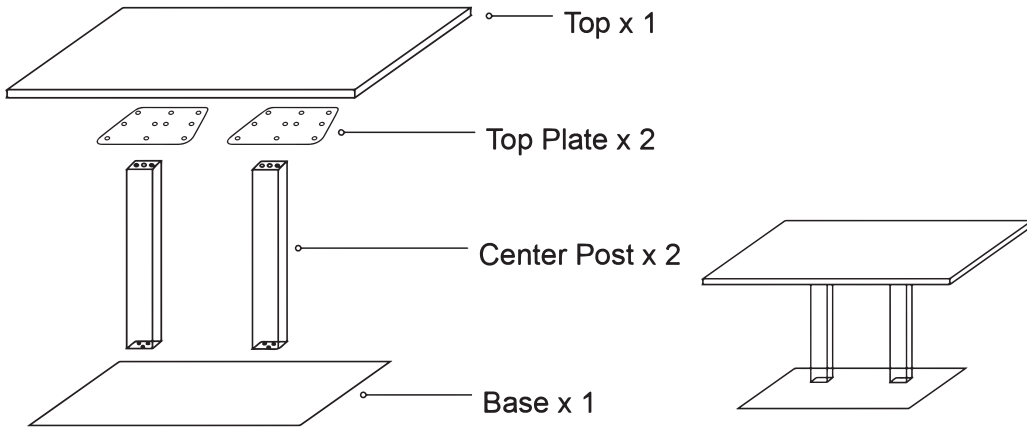


Assembly Instructions



Sold Separately
LEG PARTS LIST

	M8*40 mm Bolts **Pre-installed on post	10 pcs
	Locking Washers	10 pcs
	Allen Key	1 pc
	Wood Screw M8*25	16 pcs
	Top Plate	2 pcs
	Center Post	2 pcs
	Table Base	1 pcs

1. Remove factory installed bolts from top and bottom of posts.

2. Attach base to center post using 6 M8*40 bolts and 6 Locking Washer with allen key

3. Attach top plate to center post using 4 MB*40 bolts and 4 Locking Washer with allen key

4. Attach top plate to wood top using 16 wood screws.

