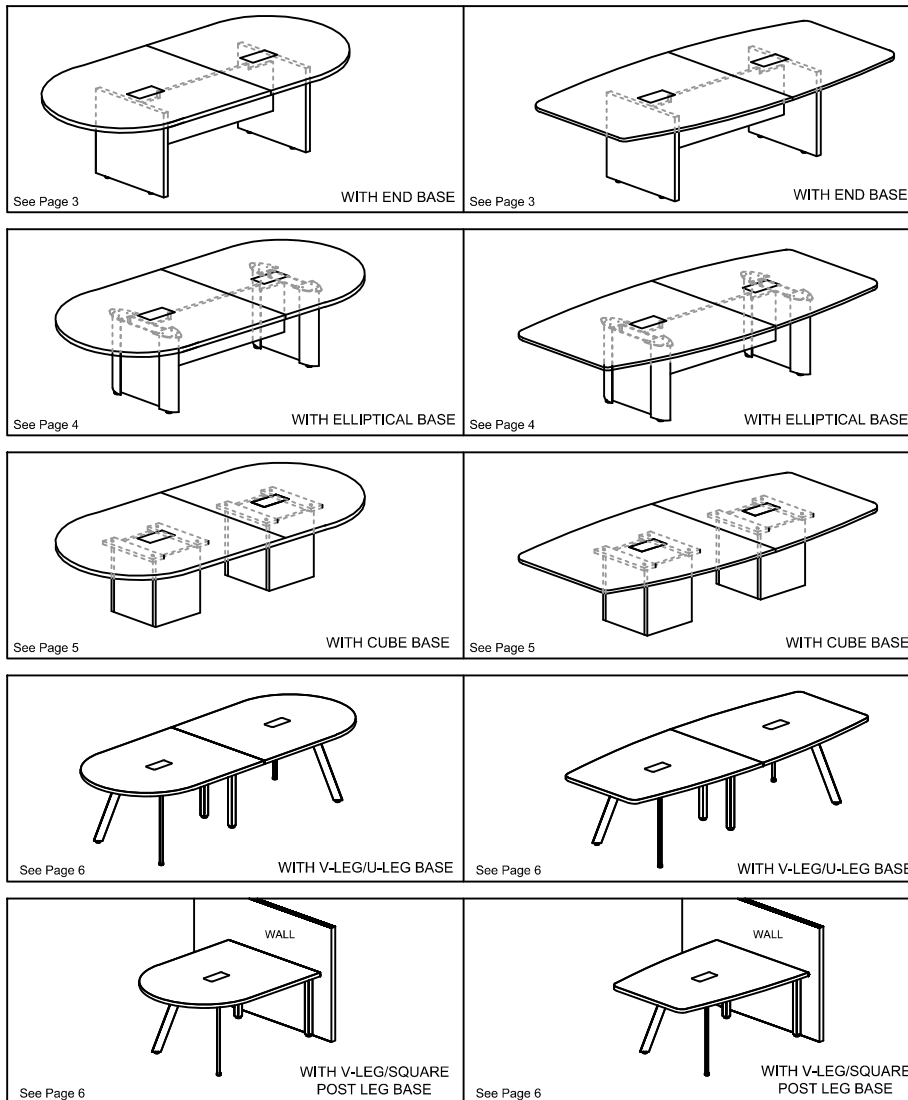
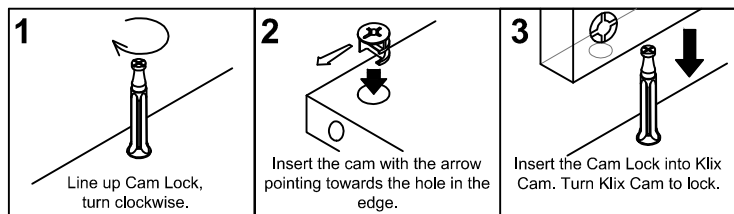


ASSEMBLY INSTRUCTION FOR 10' RACE TRACK/BOAT SHAPE CONFERENCE TABLE

Thank you for purchasing the Performance Race Track / Boat Shape Conference Table.
Please follow these instructions for easy assembly.



KLIX CAM INSTRUCTIONS

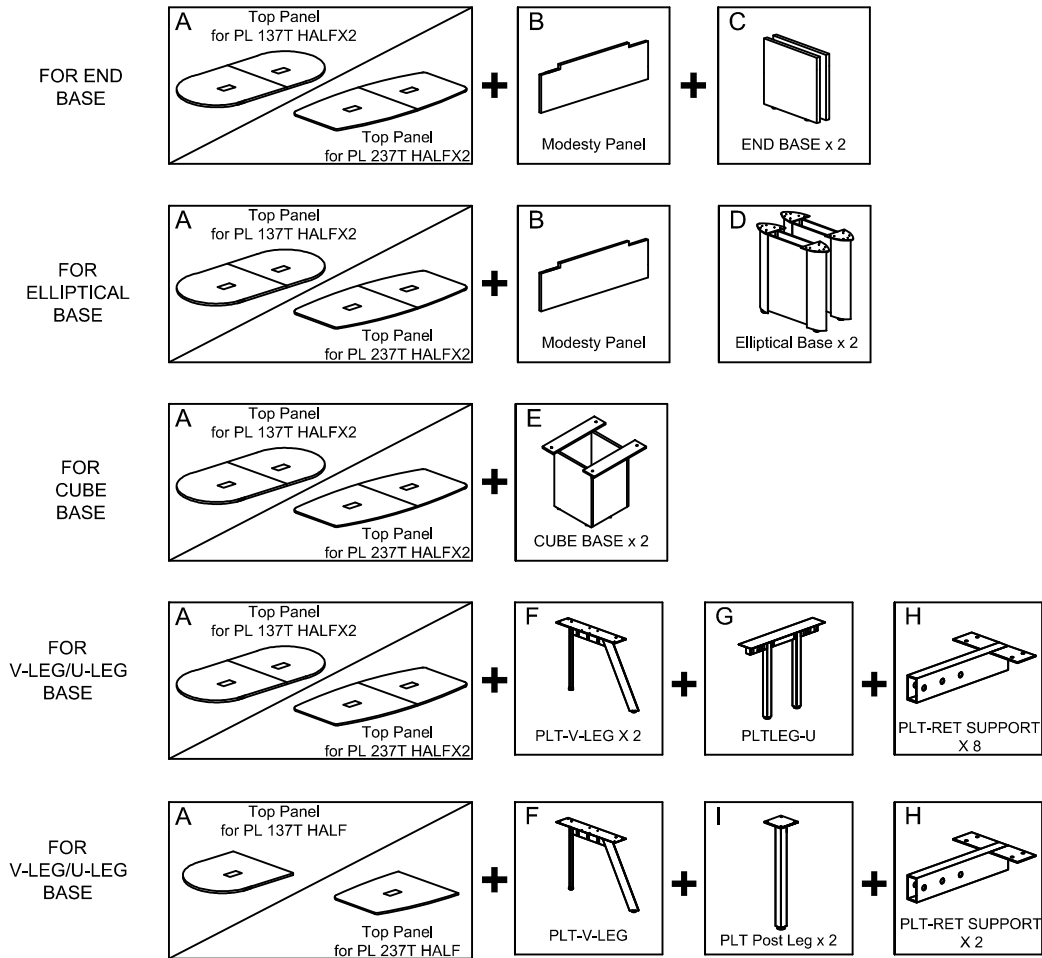


IMPORTANT NOTE :

- Place all wooden parts on a clean, smooth surface to prevent the parts from being scratched.
- Check to be sure that you have all parts and hardware.
- Remove all wrapping materials, including staples & packing straps before you start to assemble.
- Do not tighten all screws/bolts until all completely assembled.
- Keep all hardware parts out of reach of children.

ASSEMBLY INSTRUCTION FOR 10' RACE TRACK/BOAT SHAPE CONFERENCE TABLE

COMPONENTS:



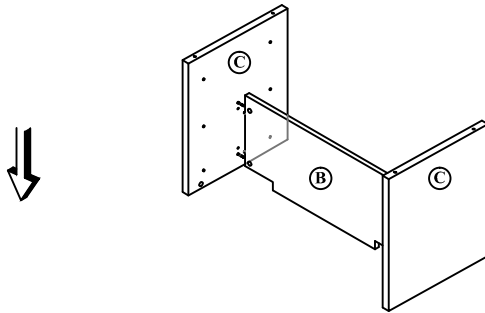
HARDWARE:

INCLUDED WITH TABLE TOP	A1 6 Hole L-Bracket 6 Pcs A2 Flat-Bracket 2 Pcs A3 Screw #6 x 3/8" 48 Pcs							
INCLUDED WITH END BASES	C1 Cam Lock 10 Pcs	C2 KliX Cam 10 Pcs	C3 Housing Cap (Long) 6 Pcs	C4 Housing Cap (Short) 4 Pcs	C5 Adjustable Glide 4 Pcs	C6 6 Hole L-Bracket 4 Pcs	C7 Screw #6 x 3/8" 24 Pcs	C8 M4 x 65 Allen-Key 1 Pc
INCLUDED WITH ELLIPTICAL BASES	D1 Cam Lock 6 Pcs	D2 KliX Cam 6 Pcs	D3 Housing Cap (Long) 6 Pcs	D4 Adjustable Glide 4 Pcs	D5 6 Hole L-Bracket 4 Pcs	D6 Screw #6 x 3/8" 24 Pcs	D7 M4 x 65 Allen-Key 1 Pc	D8 CSK Screw M3.5 x 20MM 16 Pcs
INCLUDED WITH CUBE BASE	E1 Cam Lock 16 Pcs	E2 KliX Cam 16 Pcs	E3 Housing Cap (Long) 16 Pcs	E4 JCBC Screw M2 x 40mm = 4pcs Washer = 4pcs	E5 Adjustable Glide 6 Pcs	E6 M4 x 65 Allen-Key 1 Pc		
INCLUDED WITH V-LEG/U-LEG BASES	F1 #6 x 16mm P/H Cross Recess Screw 4 Pcs	F2 Screw #4 x 16mm 16Pcs	F3 M4 x 65 Allen-Key 1 Pc	G1 #6 x 16mm P/H Cross Recess Screw 4 Pcs	G2 Screw #4 x 16mm 16Pcs	G3 M4 x 65 Allen-Key 1 Pc	H1 Screw #4 x 16mm 32Pcs	
INCLUDED WITH SQUARE POST LEG	I1 Screw #4 x 16mm 4Pcs							

ASSEMBLY INSTRUCTION FOR 10' RACE TRACK/BOAT SHAPE CONFERENCE TABLE

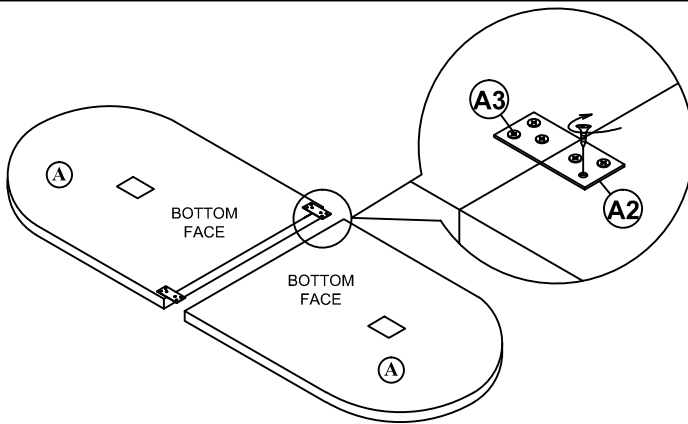
ASSEMBLING TABLE WITH END PANEL BASE

1



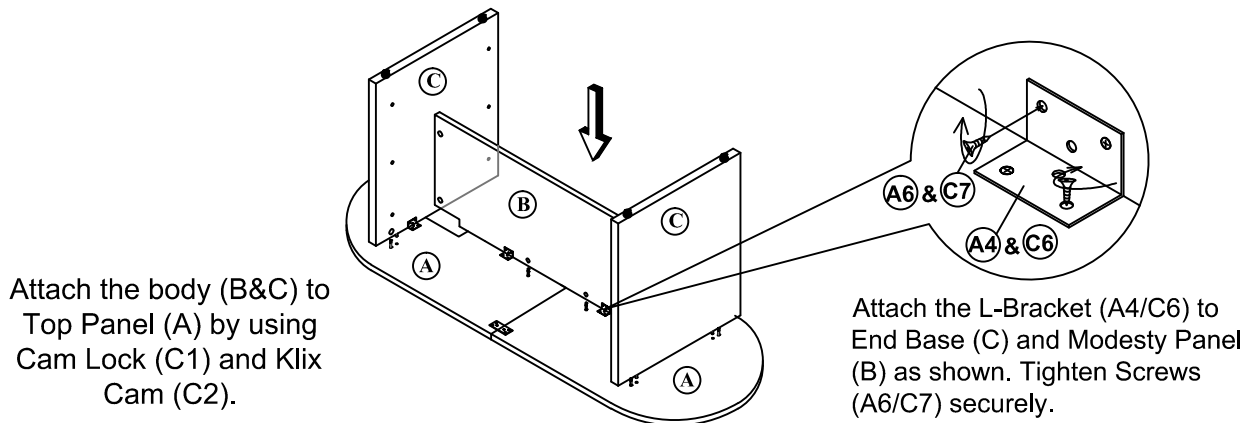
Attach the two End Base (C) to Modesty Panel (B) by using Cam Lock (C1) and Klix Cam (C2).

2



Attach the Flat-Bracket (A2) to two Top Panel (A) as shown. Tighten Screws (A3) securely.

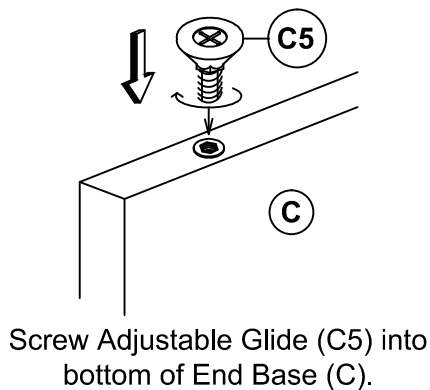
3



Attach the body (B&C) to Top Panel (A) by using Cam Lock (C1) and Klix Cam (C2).

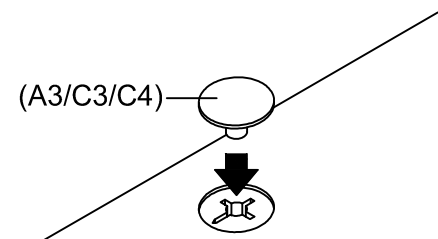
Attach the L-Bracket (A4/C6) to End Base (C) and Modesty Panel (B) as shown. Tighten Screws (A6/C7) securely.

4



Screw Adjustable Glide (C5) into bottom of End Base (C).

5

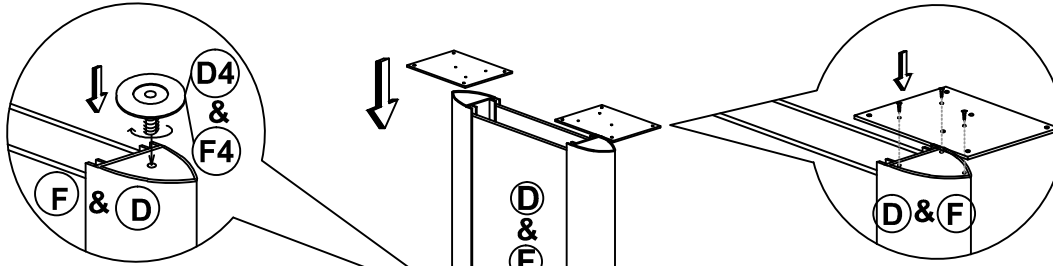


Attach Housing Cap (A3/C3/C4) to all Klix Cam(A2/C2) by pushing neck thought center of cam.

ASSEMBLY INSTRUCTION FOR 10' RACE TRACK/BOAT SHAPE CONFERENCE TABLE

ASSEMBLING TABLE WITH ELLIPTICAL BASE

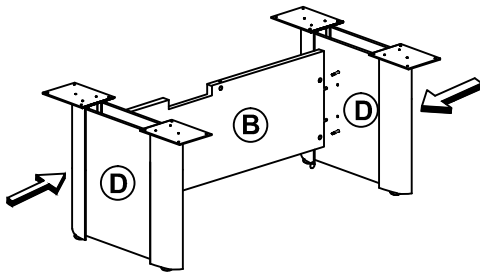
1



Screw Adjustable Glides (D4)&(F4) into bottom of Elliptical Bases (D)&(F).

Attach metal plate to Elliptical Base (D)&(F) with included screws.

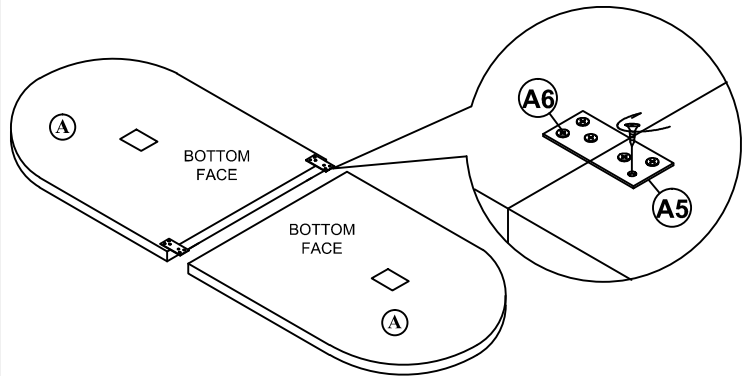
2



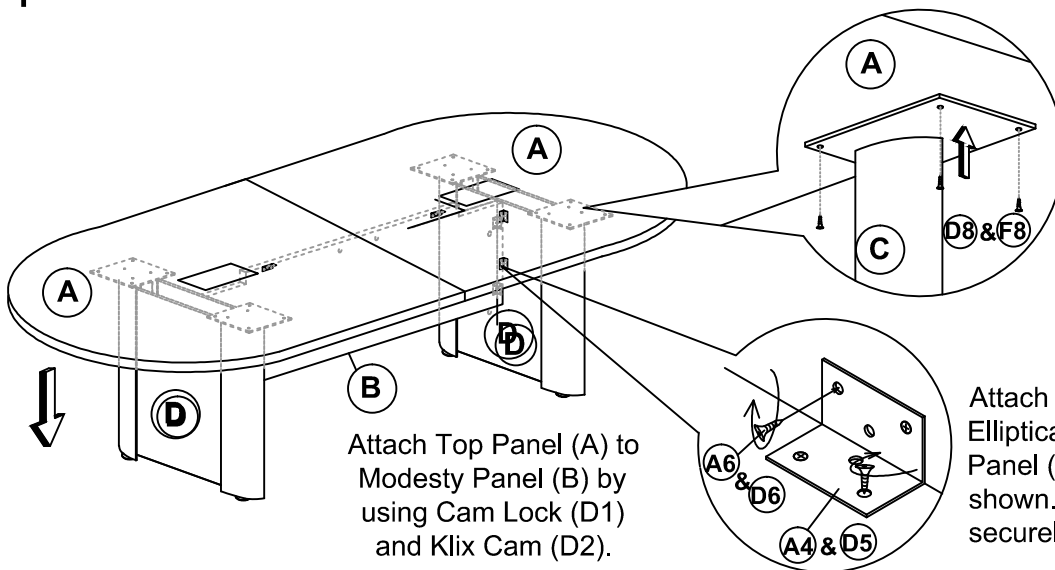
Attach 2 Pcs Elliptical Base (D) to Modesty Panel (B) by using Cam Lock (D1) and Klix Cam (D2).

3

Attach the Flat-Bracket (A5) to two Top Panel (A) as shown. Tighten Screws (A6) securely.



4



Attach Top Panel (A) to Modesty Panel (B) by using Cam Lock (D1) and Klix Cam (D2).

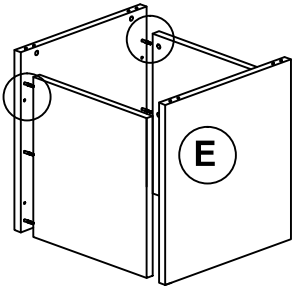
Attach Elliptical Base (D) to Top Panel (A) by using Screw (D8).

Attach the L-Bracket (A4/D5) to Elliptical Base (D) and Modesty Panel (B) and Top Panel (A) as shown. Tighten Screws (A6/C6) securely.

ASSEMBLY INSTRUCTION FOR 10' RACE TRACK/BOAT SHAPE CONFERENCE TABLE

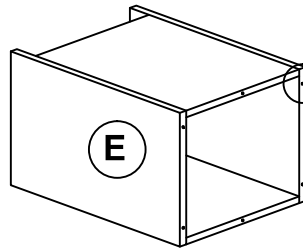
ASSEMBLING TABLE WITH ELLIPTICAL BASE

1



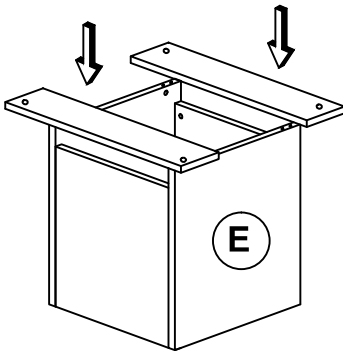
Attach Cube Base (E) by using Cam Lock (E1) and Klix Cam (E2).

2



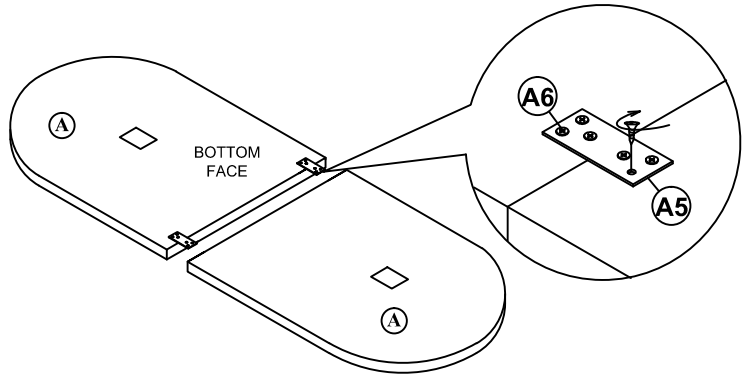
Screw Adjustable Glide (E5) into bottom of End Base (E).

3



Attach Cube Base Support (E) by using Cam Lock (E1) and Klix Cam (E2).

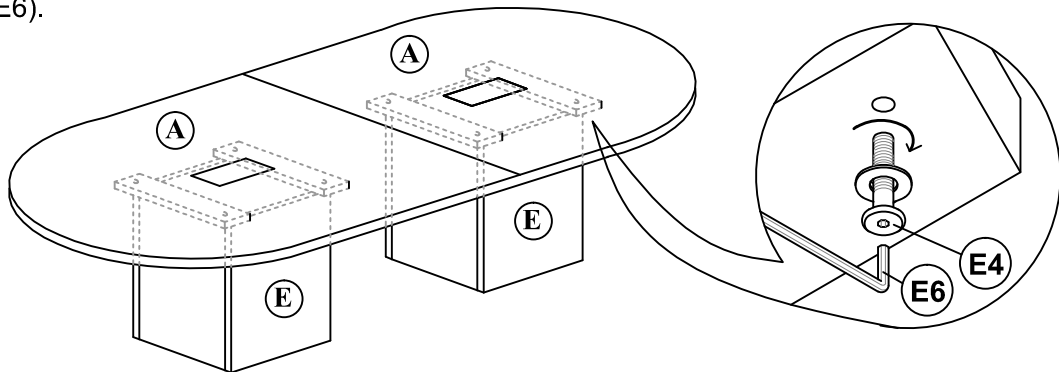
4



Attach the Flat-Bracket (A5) to two Top Panel (A) as shown. Tighten Screws (A6) securely.

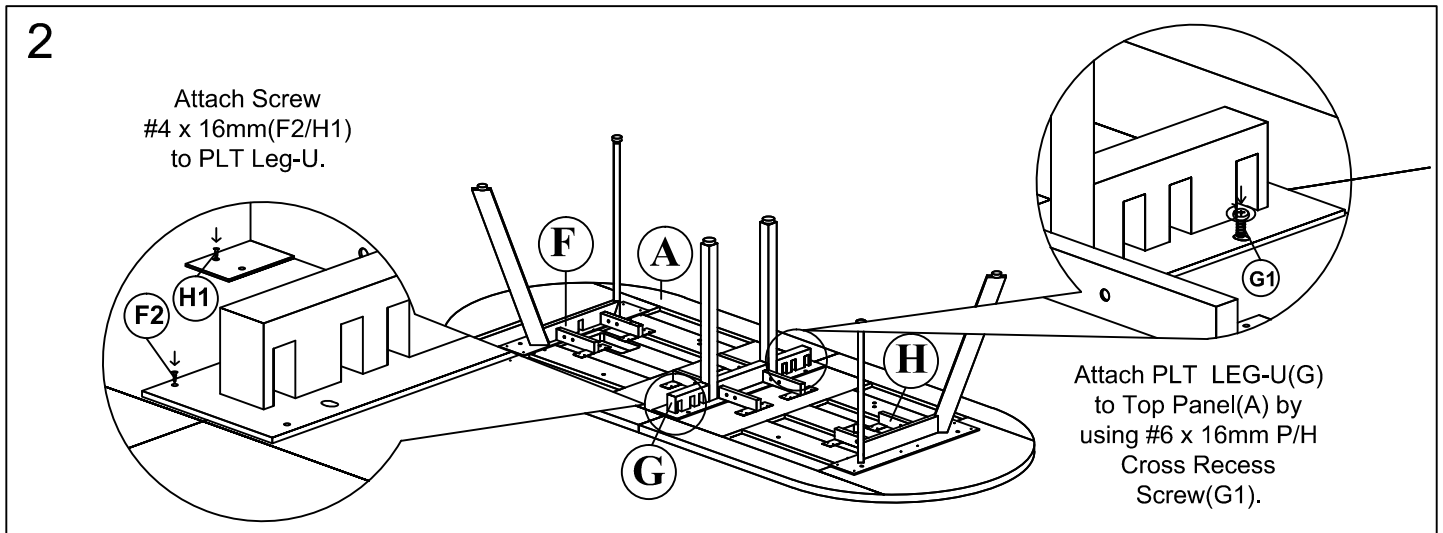
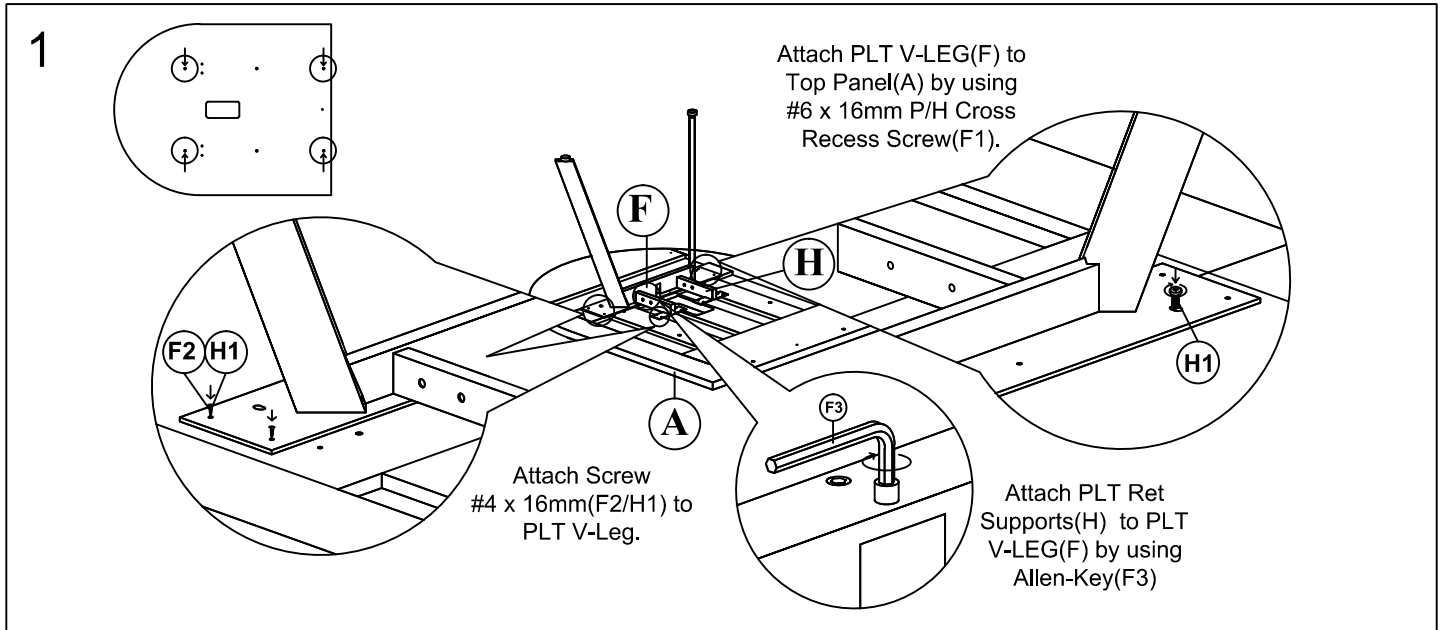
5

Attach Top Panel (A) to Cube Base (E) by using JCBC Screw (E4) and tighten with Allen Key (E6).



ASSEMBLY INSTRUCTION FOR 10' RACE TRACK/BOAT SHAPE CONFERENCE TABLE

ASSEMBLING TABLE WITH V-LEG BASE



ASSEMBLING TABLE WITH V-LEG BASE + SQUARE POST LEG

