

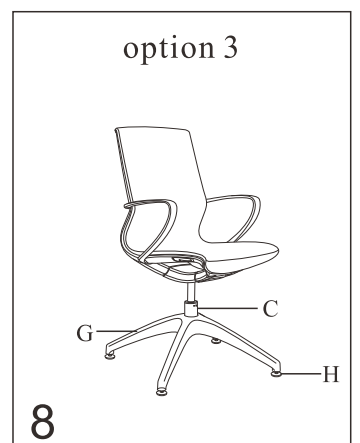
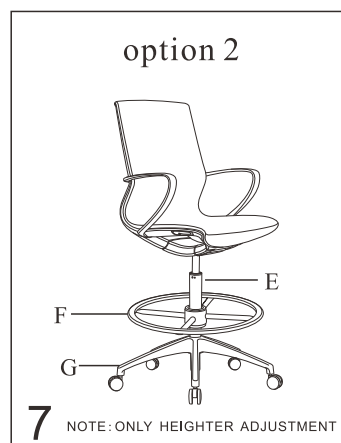
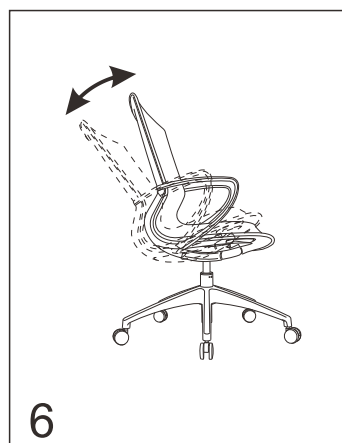
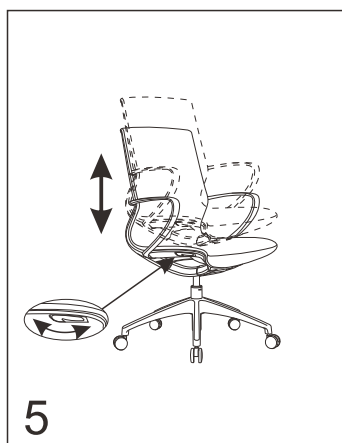
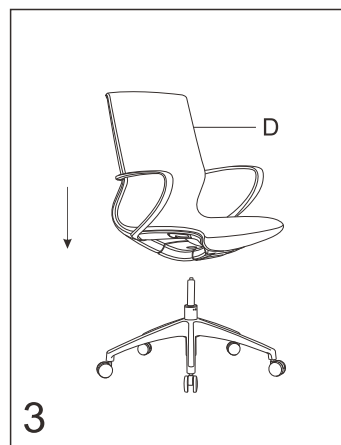
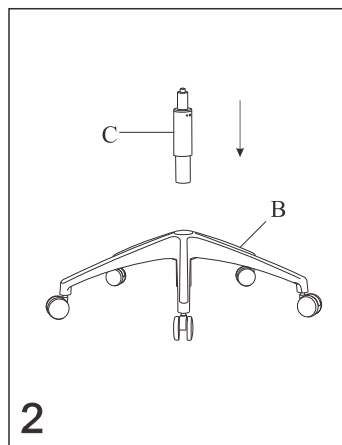
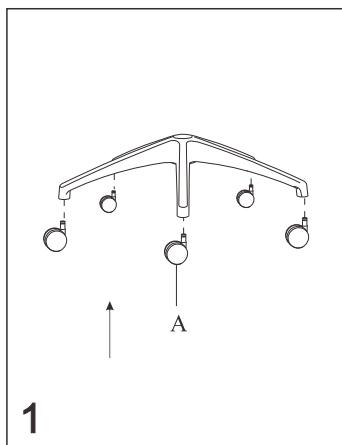
# MODEL: 20621/20624/20625

## ASSEMBLY INSTRUCTIONS

THANK YOU FOR PURCHASING THIS DESIGNER CHAIR FROM PERFORMANCE OFFICE FURNISHINGS.

BEFORE ASSEMBLY, PLEASE REMOVE ALL PARTS AND VERIFY THAT YOU HAVE THE CORRECT QUANTITIES LISTED BELOW.

option 1											
A		5	B		1	C		1	D		1
option 2					option 3						
E		1	F		1	G		1	H		4



### PREVENTIVE MAINTENANCE AND WARNING

- USE THIS PRODUCT ONLY FOR SEATING ONE PERSON AT A TIME.
- DO NOT USE THIS CHAIR AS A STEP STOOL / LADDER.
- DO NOT USE THIS CHAIR UNLESS ALL BOLTS AND SCREWS ARE TIGHTENED. ALL BOLTS AND SCREWS SHOULD BE TIGHTENED AT LEAST EVERY 3 MONTHS.
- IF ANY PARTS ARE MISSING, BROKEN, DAMAGED OR WORN, STOP THE USE OF THIS PRODUCT UNTIL ALL REPAIRS ARE MADE USING FACTORY AUTHORIZED PARTS.
- FAILURE TO FOLLOW THESE WARNINGS CAN RESULT IN SERIOUS INJURY